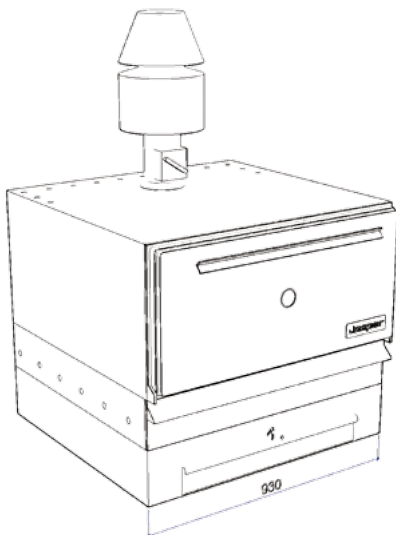
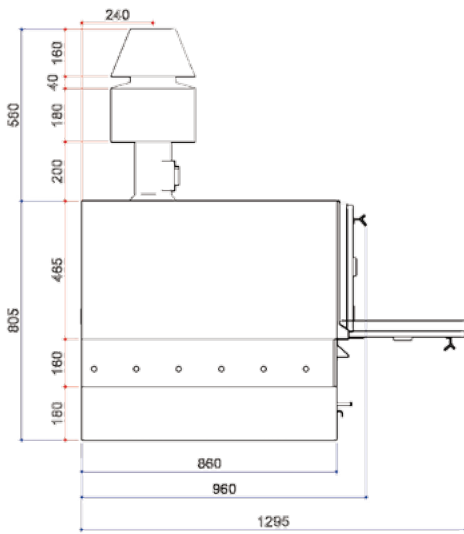


**Josper**<sup>®</sup>  
CHARCOAL OVENS



## Charcoal Oven HJX50M



### TECHNICAL INFORMATION

Fire up time <sup>1</sup>	40 min average	40 min average
Josper charcoal daily consumption	16 to 20 kg average	35 lb to 44 lb average
Performance	9 h	9 h
Production per hour <sup>2</sup>	110 kg average	242.5 lb average
Cooking temperature	300 °C to 350 °C	572 °F to 662 °F
Oven capacity in GN trays (per grill rack)	2 x GN 1/1 + 2 x GN 1/2	2 x GN 1/1 + 2 x GN 1/2
Power equivalence	6 kW	8 hp
Exhaust rate <sup>3</sup>	3500 m <sup>3</sup> /h	2060 cfm
Maximum smoke flow	14 g/s	0.49 oz/s

### INSTALLATION

Recommended installation height	550 mm	from floor level	22 in	from floor level
Clearance with other cooking equipment	100 mm		4 in	

### BUNDLES: SIZES AND WEIGHTS

Sizes bundle 1	1010 x 1010 x 960 mm	39,8 x 39,8 x 37,8 in
Gross weight bundle 1	309 kg	681 lb

### INCLUDED ACCESSORIES

Smoke outlet vent  
One cooking grill rack  
Charcoal grates  
Josper tongs  
Bristle brush  
Poker  
Ash hatch and handle  
Ash pan

### OPTIONAL ACCESSORIES

Extra cooking grill rack  
Firebreak  
Firebreak's hat  
Cookware<sup>4</sup>  
Tray support  
Below cabinet

- 1 Please, check our document titled "Fire up and use of the Josper oven".
- 2 Please, check our "Cookbook".
- 3 Please, check our document titled "Installation advices of the Josper oven".
- 4 Please, see our wide range of cookware in our website. [SEE MORE](#)

Ovens' sizes and weights are to be considered with the standard accessories and packing.

A continual improvement process may require us to change specifications without any notice.

Revised June 2012.

**Josper**<sup>®</sup>  
CHARCOAL OVENS

JOSPER S.A. Montpalau 1-3  
08397 Pineda de Mar - Barcelona - SPAIN  
T +34 93 767 15 16  
josper@josper.es

